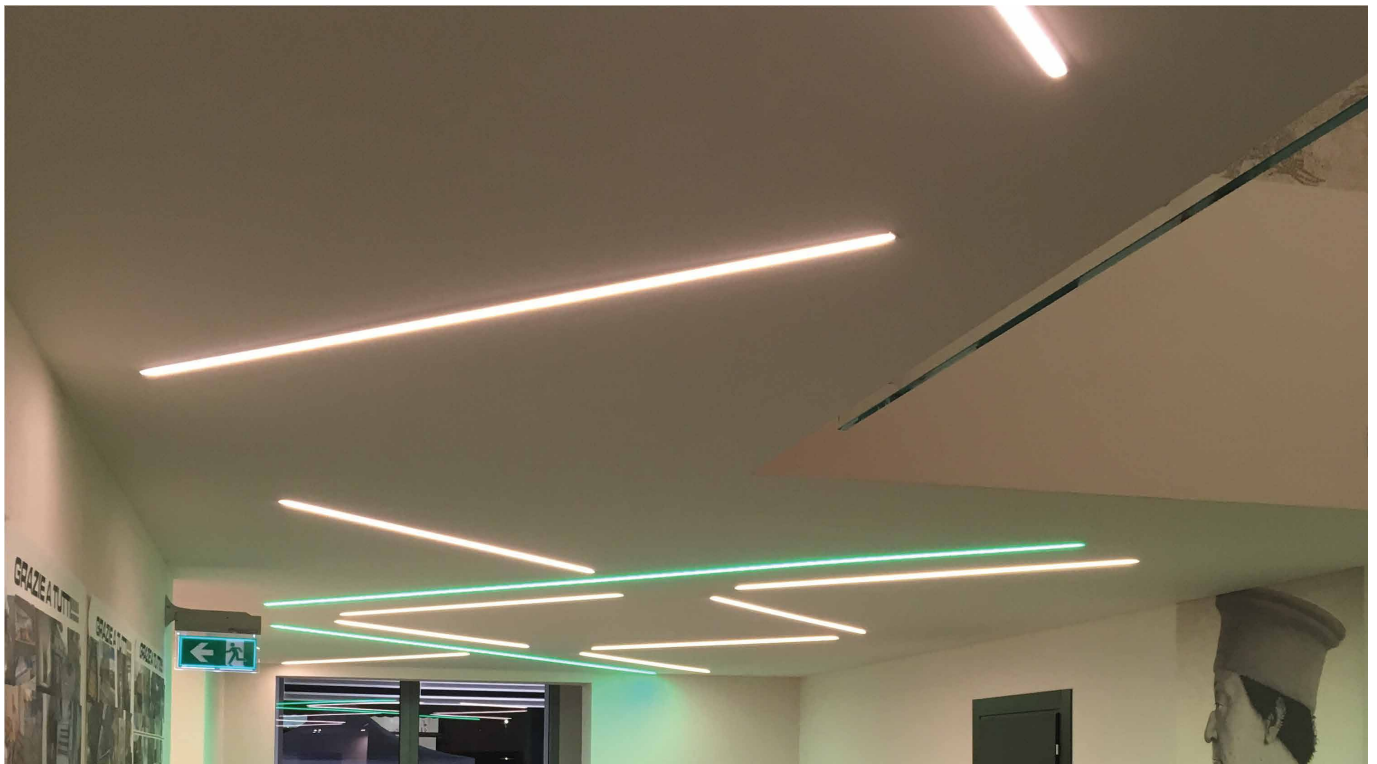
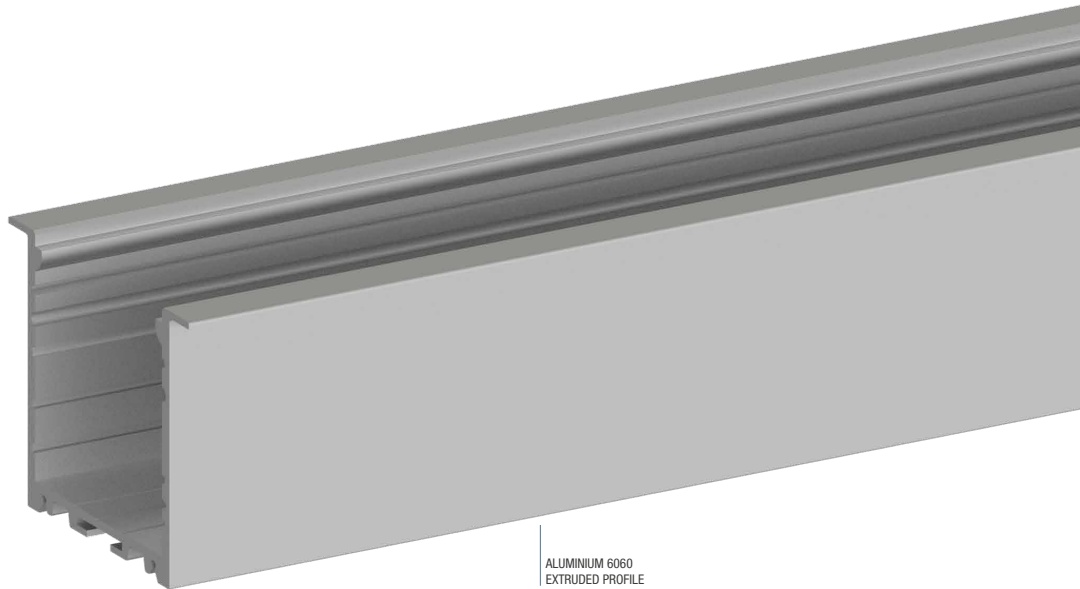
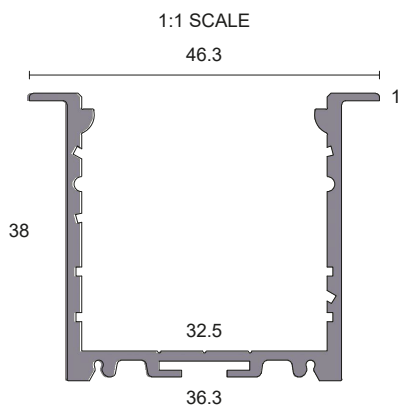


# TAU

Anodized aluminium 6060 extruded profile, designed and manufactured to recessed-mounted on plasterboard; thanks to its size, it creates a bold and sophisticated light source. Extremely easy to install, thanks to the brushed snap-in diffuser, side supports, and fixing springs. Ideal to house and dissipate LED Strips, including high-density models, and especially suited to illuminate and embellish offices, rooms, hallways, kitchens and much more.

 EXTRUDED IN ITALY





BASIC CODES

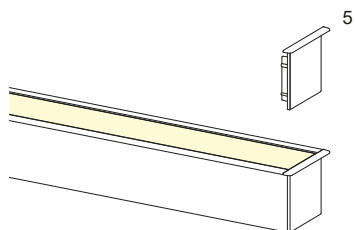
**PA.TAU.**

LENGTH

- 1 1000mm
- 2 2000mm
- 3 3000mm

FINISHES

- 1 Matt white RAL9003
- 2 Matt black RAL9005
- 7 Brushed aluminium



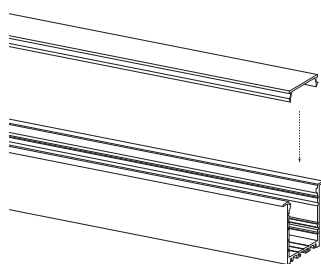
BASIC CODES

**ST01.**

FINISHES

- 1 White
- 2 Matt black
- 5 Grey
- 7 Brushed aluminium

Side closing support and ABS flush-mounting, Easy and quick to install, by exerting a slight side pressure.



BASIC CODES

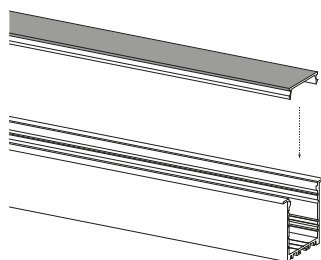
**PA.PC30PE33.**

LENGTH

- 1 1000mm brushed
- 2 2000mm brushed
- 3 3000mm brushed

- 1M** 1000mm microprismatic
- 2M** 2000mm microprismatic
- 3M** 3000mm microprismatic

Brushed or microprismatic snap-on diffuser. The diffuser can be easily removed for maintenance operations.



BASIC CODES

**PA.2107.**

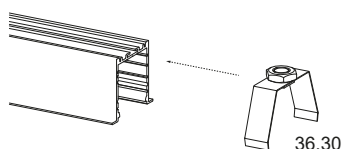
LENGTH

- 1 1000mm
- 2 2000mm
- 3 3000mm

FINISHES

- 1 Matt white RAL9003
- 2 Matt black RAL9005
- 7 Brushed aluminium

Snap-in aluminium cover. The cover can be used to create a lightless zone where the power supply can be installed. Also, by drilling the cover, several LED Spotlights can be installed.



BASIC CODES

**PA.GG04**

Flash-mounting steel fixing clips. With the spring installed on the back of the profile, it provides an excellent seal on plasterboard or wooden panels.

NB. We recommend No. 1 Clip per 500mm

Code example: TAU Profile + 1000mm Length + Brushed Aluminium Finish = Code: PA.TAU.17